

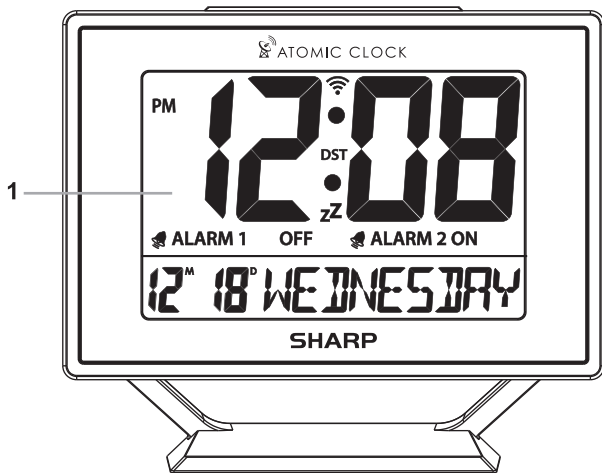
# SHARP®

## SPC569 Atomic Digital Alarm Clock

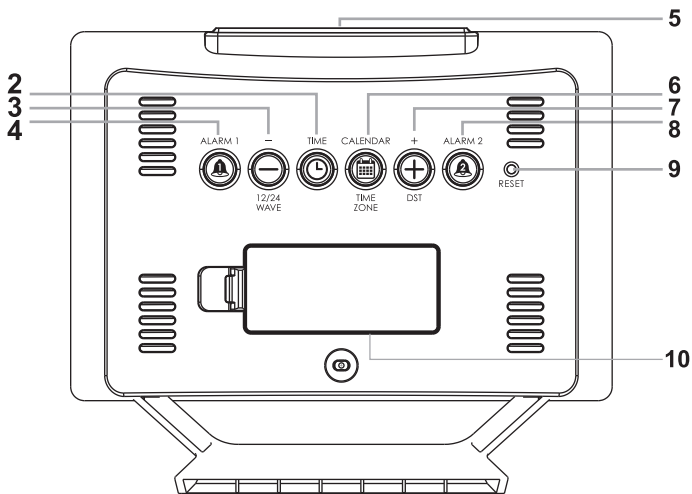
Thank you for your purchase of this quality clock. The utmost care has gone into the design and manufacture of your clock. Please read these instructions and store them in a safe place for future reference.

### Controls

ATOMIC ALARM FRONT



ATOMIC ALARM BACK



1. LCD DISPLAY
2. TIME BUTTON
3. - / 12/24 / WAVE BUTTON
4. ALARM 1 BUTTON
5. SNOOZE / DIMMER BUTTON
6. CALENDAR / TIME ZONE BUTTON
7. + / DST BUTTON
8. ALARM 2 BUTTON
9. RESET BUTTON
10. BATTERY COMPARTMENT

### Setting The Atomic Clock

- Insert the AC adaptor into a 120V AC ~ 60Hz mains outlet.
- The **TIME ZONE** digits on the display will begin to flash, press + or - button to select the correct time zone: **HAWAII, ALASKA, PACIFIC, MOUNTAIN, CENTRAL, EASTERN** and press **TIME ZONE** button to confirm.  
**NOTE: EASTERN** is the default time zone.
- The **YEAR** digits (shown in place of the time digits) will begin to flash. Press + or - button until the correct year is displayed, press **CALENDAR** button to confirm. The month digits will flash, press + or - until the correct month is displayed, press **CALENDAR** to confirm. The date digits will flash, press + or - button until the correct date is displayed, press **CALENDAR** again to save and exit the calendar setting.
- Press and hold the **WAVE** button for 3 seconds to start searching for the WWVB signal. Each attempt will be 2 - 10 minutes.  
**NOTE: the LCD backlight will be off to avoid interference during WWVB signal searching.**
- If WWVB signal is not received after the first try, the hour digits will begin to flash for manual time set. Press + or - button to advance to the correct hour. Press the **TIME** button to confirm. The minute digits will flash, press + or - button to advance to the correct minute. Press the **TIME** button again to save and exit the manual time setting.
- The clock will automatically update once the Atomic signal is found. This can take 24-48 hours.

### WWVB Radio Controlled Time

- The clock has a built in receiver that automatically synchronizes itself with the WWVB radio signal broadcast by the US Government's National Institute of Standards & Technology (NIST) in Fort Collins, Colorado. The WWVB radio signal daily broadcast ensures that the atomic clock will always display the most accurate date and time. In most areas, a signal can be received at night. If the clock doesn't receive the WWVB Atomic signal immediately, wait overnight and it will be set in the morning.

### WWVB Reception Icon

- The icon will show solid when the clock has received the WWVB signal.
- If no icon shows, the clock was unable to receive a signal at this time.
- Reposition the clock for better signal reception or try again at bedtime.
- The clock will start searching between 2:30-5:03 AM. Each attempt will be 2-10 minutes.  
**NOTE: the backlight will be off to avoid interference during WWVB signal searching.**
- Manual Search: hold the **WAVE** button to start a manual signal search immediately.

### Manual Setting The Clock

- Press and hold the **TIME** button down for 3 seconds and the hour digits will flash.
- Press the + or - button to advance to the correct hour.  
**NOTE: the PM indicator will light up when the hour is advanced into the PM time.**
- Press the **TIME** button to confirm the hour setting and the minute digits will flash.
- Press the + or - button to advance to the correct minute and press the **TIME** button again to save and exit the time setting.

### Setting The Calendar

- Press and hold the **CALENDAR** button down for 3 seconds and the year digits will flash.  
**NOTE: The YEAR will be shown in place of the time digits.**
- Press the + or - button until the correct year is displayed.
- Press the **CALENDAR** button to confirm the year setting and the month digits will flash.
- Repeat the above steps to set the month and date.
- When the correct date setting is reached, press the **CALENDAR** button again to save and exit calendar setting.

## Setting The Time Zone

- Press the **TIME ZONE** button to select different time zones.  
**HAWAII, ALASKA, PACIFIC, MOUNTAIN, CENTRAL, EASTERN**

## Setting The Daylight Saving Time (DST)

- Press the **DST** button to turn the DST function on or turn it off if you do not observe DST.  
**NOTE:** the default is on.

## Setting The Alarm

- Press and hold the **ALARM 1/2** button down for 3 seconds and the hour digits will flash.
- Press the + or - button to advance to the correct hour.  
**NOTE:** the PM indicator will light up when the hour is advanced into the PM time.
- Press the **ALARM 1/2** button to confirm the hour setting and the minute digits will flash.
- Press the + or - button to advance to the correct minute and press the **ALARM 1/2** button again to save and exit the alarm setting.

## Using The Alarm

- Press the **ALARM 1/2** button to turn the alarm on/off, the alarm's status will be shown on the display.

## Snooze Function

- Press the **SNOOZE** button when the alarm is sounding. The alarm will be silenced temporarily and will resume sounding after 5 minutes.

## Dimmer Function

- To adjust the display brightness, press the **DIMMER** button to select between 3 levels: High - Medium - Low.

## Care For Your Clock

- The batteries should be replaced if the display or alarm becomes weak or dysfunctional. Store the clock without batteries when not in use. A soft cloth or a paper towel may be used to clean your clock. Do not use any corrosive cleaner or chemical solution on the clock. Keep the clock clean and dry to avoid problems.

## Suggestion

- Make sure you read the instructions before operating this clock. We have developed this sophisticated instrument for the best reception performance; however, the signal transmitted from USA Atomic Clock transmitter will be affected in certain situations. We advise you to note the following instructions:
  1. It is strongly recommended to start this clock at night and let the clock receive the signal automatically past midnight.
  2. Always place the unit away from interfering sources such as TV set, computer, etc.
  3. Avoid placing the unit on or next to metal plates.
  4. Areas with access to windows is recommended for better reception.
  5. Do not start reception in moving articles such as vehicles or trains.



## Digital Alarm Clock



This lightning flash and arrowhead within the triangle is a warning sign alerting you of "dangerous voltage" inside the product.

### CAUTION

**RISK OF ELECTRIC SHOCK  
DO NOT OPEN**

CAUTION: TO REDUCE THE RISK OF ELECTRIC SHOCK, DO NOT REMOVE COVER (ON BACK). NO USER SERVICEABLE PARTS INSIDE. REFER SERVICING TO QUALIFIED SERVICE PERSONNEL.



The exclamation point within the triangle is a warning sign alerting you of important instructions accompanying the product.

### **WARNING: TO REDUCE THE RISK OF FIRE OR ELECTRIC SHOCK, DO NOT EXPOSE THIS APPLIANCE TO RAIN OR MOISTURE.**

CAUTION: TO PREVENT ELECTRIC SHOCK DO NOT USE THIS (POLARIZED) PLUG WITH AN EXTENSION CORD, RECEPTACLE, OR OTHER OUTLET UNLESS THE BLADES CAN BE FULLY INSERTED TO PREVENT BLADE EXPOSURE.

Please read this before operating your unit.

## FCC Information

This equipment has been tested and found to comply with the limits for a Class B digital device, pursuant to Part 15 of the FCC Rules. These limits are designed to provide reasonable protection against harmful interference in a residential installation. This equipment generates, uses, and can radiate radio frequency energy and, if not installed and used in accordance with the instructions, may cause harmful interference to radio communications. However, there is no guarantee that interference will not occur in a particular installation. If this equipment does cause harmful interference to radio or television reception, which can be determined by turning the equipment off and on, the user is encouraged to try to correct the interference by one or more of the following measures:

- Reorient or relocate the receiving antenna.
- Increase the separation between the equipment and receiver.
- Connect the equipment into an outlet on a circuit different from that to which the receiver is connected.
- Consult the dealer or an experienced radio/TV technician for help.

This device complies with Part 15 of the FCC Rules. Operation is subject to the following two conditions:

- (1) This device may not cause harmful interference, and
- (2) This device must accept any interference received, including interference that may cause undesired operation.

Caution: Any changes or modifications not expressly approved by the party responsible for compliance could void the user's authority to operate the equipment.

## Safety Instructions

1. Read these instructions - All the safety and operating instructions should be read before this product is operated.
2. Keep these instructions - The safety and operating instructions should be retained for future reference.
3. Heed all warnings - All warnings on the appliance and in the operating instructions should be adhered to.
4. Follow all instructions - All operating and use instructions should be followed.
5. Do not use this apparatus near water - The appliance should not be used near water or moisture - for example, in a wet basement or near a swimming pool, and the like.
6. Clean only with dry cloth.
7. Do not block any ventilation openings, Install in accordance with the manufacture's instructions.
8. Do not install near any heat sources such as radiators, heat registers, stoves, or other apparatus ( including amplifiers ) that produce heat.
9. Do not defeat the safety purpose of the polarized or grounding - type plug. A polarized plug has two blades with one wider than the other. A grounding type plug has two blades and a third grounding prong. The wide blade or the third prong are provided for your safety. If the provided plug does not fit into your outlet, consult an electrician for replacement of the obsolete outlet.
10. Protect the power cord from being walked on or pinched particularly at the plugs, convenience receptacles, and at the point where they exit from the apparatus.
11. Only use attachments/accessories specified by the manufacturer.
12. Use only with the cart, stand, tripod, bracket, or table specified by the manufacturer, or sold with the apparatus. When a cart or rack is used, use caution when moving the cart/apparatus combination to avoid injury from tip - over.



13. Unplug the apparatus during lightning storms or when unused for long periods of time.
14. Refer all servicing to qualified personnel. Servicing is required when the apparatus has been damaged in any way, such as power supply cord or plug is damaged, liquid has been spilled or objects have fallen into the apparatus has been exposed to rain or moisture, does not operate normally, or has been dropped.
15. Please keep the unit in a good ventilation environment.
16. CAUTION: These servicing instructions are for use by qualified service personnel only. To reduce the risk of electric shock, do not perform any servicing other than that contained in the operating instructions unless you are qualified to do so.

**WARNING:** The mains plug is used as disconnect device, the disconnect device shall remain readily operable. This equipment is a Class II or double insulated electrical appliance. It has been designed in such a way that it does not require a safety connection to electrical earth. Do not install this equipment in a confined or building-in space such as a book case or similar unit, and remain a well ventilation conditions. The ventilation should not be impeded by covering the ventilation openings with items such as newspaper, table-cloths, curtains etc.

**WARNING:** All above markings were located on the external enclosure of the apparatus, except for label of Date Code was pasted inside the battery compartment. The apparatus shall not be exposed to dripping or splashing and that objects filled with liquids, such as vases, shall not be placed on apparatus.

**Caution:** Changes or modifications not expressly approved by the party responsible for compliance could void the user's authority to operate the equipment.

**WARNING:** The battery shall not be exposed to excessive heat such as sunshine, fire or the like.