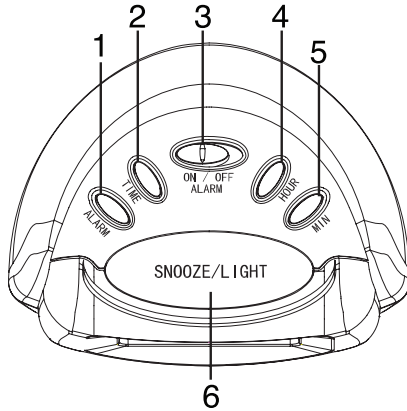


SPC500 LCD Digital Alarm Clock

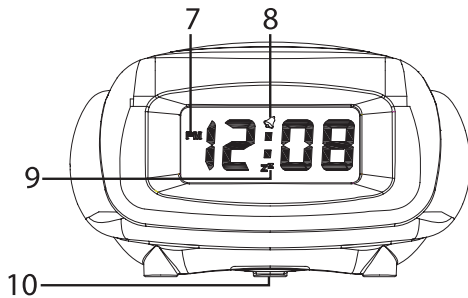
Thank you for your purchase of this quality clock. The utmost care has gone into the design and manufacture of your clock. Please read these instructions and store them in a safe place for future reference.

Controls

1. ALARM Button
2. TIME Button
3. ALARM ON/OFF Button
4. HOUR Button
5. MINUTE Button
6. SNOOZE Button



7. PM Indicator
8. ALARM Indicator
9. SNOOZE Indicator
10. BATTERY Door



Power Supply

- This clock operates on 2 "AAA" batteries (not included). Remove the **BATTERY DOOR** and insert 2 new "AAA" batteries in the direction of the polarity symbols. Make sure the batteries are new and inserted correctly.

Setting the Time

- Press and hold the **TIME** button down to activate time setting.
- While holding down the **TIME** button, press the **HOUR** button to advance to the correct hour. The **PM** indicator will light when the hour is advanced into the PM time.
- While holding down the **TIME** button, press the **MINUTE** button to advance to the correct minute.
- Release the **TIME** button when the correct time is shown on the display.
- Be careful setting the time. The **PM** indicator dot will appear in the upper left corner of the display when the time is past 11:59 AM.

Setting the Alarm

- Press and hold the **ALARM** button down to activate time setting.
- While holding down the **ALARM** button, press the **HOUR** button to advance to the correct hour. The **PM** indicator will light when the hour is advanced into the PM time.
- Hold down the **ALARM** button and then press **MINUTE** button to set the correct minute.
- Release the **ALARM** button when the correct alarm time is shown on the display.
- Be careful setting the time. The **PM** indicator dot will appear in the upper left corner of the display when the time is past 11:59 AM.

Using the Alarm

- Slide the **ALARM ON/OFF** switch to the **ON** position. On the front of the clock the **ALARM INDICATOR** "☞" will be lit.
- Slide the **ALARM ON/OFF** switch to the **OFF** position to deactivate the alarm. The **ALARM INDICATOR** "☞" dot will no longer be visible.

Activating the SNOOZE function

- Pressing the **SNOOZE/LIGHT** after the wake-up alarm sounds will cause the alarm to stop and the alarm will sound again in 5 minutes. This will repeat each time the **SNOOZE/LIGHT** button is pressed. The snooze indicator "Zz" will flash to confirm function is activated.

Backlight Feature

- Press the **SNOOZE/LIGHT** button to illuminate display backlight five seconds for your night viewing.

Care of Your Clock

- Replace the back up battery annually, or store the clock without a battery. When not in use. A soft cloth or a paper towel may be used to clean your clock. Do not use any corrosive cleanser or chemical solutions on the clock. Keep the clock clean and dry to avoid any problems.

Battery Warning

- Clean the battery contacts and also those of the device prior to battery installation.
- Follow the polarity (+) & (-) to place battery.
- Don't mix old and new batteries.
- Don't mix Alkaline, Standard (Carbon-Zinc), or Rechargeable (Nickel-Cadmium) batteries.
- Incorrect battery placement will damage the clock movement and battery may leak.
- Exhausted battery is to be removed from the product.
- Remove batteries from equipment which is not to be used for an extended period of time.
- Don't dispose of batteries in fire. Batteries may explode or leak.

FCC Information

This equipment has been tested and found to comply with the limits for a Class B digital device, pursuant to Part 15 of the FCC Rules. These limits are designed to provide reasonable protection against harmful interference in a residential installation. This equipment generates, uses, and can radiate radio frequency energy and, if not installed and used in accordance with the instructions, may cause harmful interference to radio communications. However, there is no guarantee that interference will not occur in a particular installation. If this equipment does cause harmful interference to radio or television reception, which can be determined by turning the equipment off and on, the user is encouraged to try to correct the interference by one or more of the following measures:

- Reorient or relocate the receiving antenna.
- Increase the separation between the equipment and receiver.
- Connect the equipment into an outlet on a circuit different from that to which the receiver is connected.
- Consult the dealer or an experienced radio/TV technician for help.

This device complies with Part 15 of the FCC Rules. Operation is subject to the following two conditions:

- (1) This device may not cause harmful interference, and
- (2) This device must accept any interference received, including interference that may cause undesired operation.

Caution: Any changes or modifications not expressly approved by the party responsible for compliance could void the user's authority to operate the equipment.