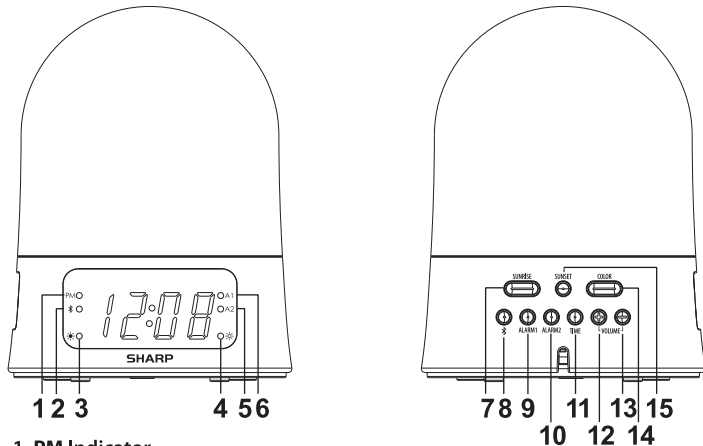


SHARP®

SPC284 Sunrise Alarm Clock with two (2) AMP USB Charge Ports

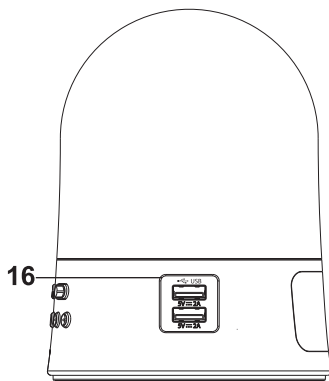
Thank you for your purchase of this quality clock. The utmost care has gone into the design and manufacture of your clock. Please read these instructions and store them in a safe place for future reference.

Controls

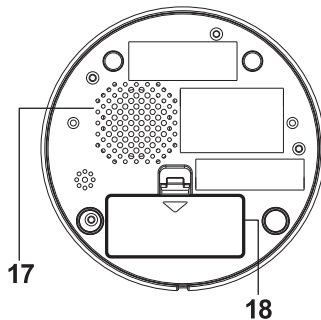


1. PM Indicator
2. BLUETOOTH® Indicator
3. SUNRISE Indicator
4. SUNRISE Indicator
5. ALARM 2 Indicator
6. ALARM 1 Indicator

7. SUNRISE Button
8. BLUETOOTH® Button
9. ALARM 1 Button
10. ALARM 2 Button
11. TIME Button
12. VOLUME + Button
13. VOLUME - Button
14. COLOR Button
15. SUNSET Button



16. USB Charge port (2)
17. SPEAKER
18. BATTERY COMPARTMENT



Connecting to the Power Supply

- Begin by plugging in the power cord into a standard household outlet as indicated. The display will flash indicated the tune us ready to be set.

Setting the TIME

- Press and hold the **TIME** button and the hour digit will flash.
- Press the +/- button to set the correct hour. The **PM** indicator will light when the hour is advanced into the **PM** time.
- Press the **TIME** button again and the minute digit will flash.
- Press the +/- button to set the correct minute and press **TIME** button to confirm.
- When setting the time, the **PM** indicator will appear on the upper left corner of the display when the time is past 11:59 A.M.

Setting the ALARM

- Press and hold the **ALARM 1/2** button and the hour digit will flash.
- Press the +/- button to set the correct hour. The **PM** indicator will light when the hour is advanced in the **PM** time.
- Press and hold the **ALARM 1/2** again and the minute will flash.
- Press the +/- button to set the correct minute and press **ALARM 1/2** button to confirm.
- When setting the alarm time be sure you are in the correct **AM** or **PM** time as indicated by the **PM** light on the display.

Using the ALARM

- Press and hold the **ALARM 1/2** button to activate the alarm and the alarm indicator will be lit.
NOTE: The indicator on the display.
- Press and hold the **ALARM 1/2** button again to deactivate the alarm and the alarm indicator will no longer be visible.
NOTE: The default is **OFF** setting.

Using the SNOOZE

- To use the **SNOOZE**, press down on the **SNOOZE** button (pressing the clock downward) after the alarm sounds will cause the alarm to stop and the alarm will sound again in 9 minutes. This will happen each time the **SNOOZE** button is pressed.

Night Light

- Press the clock **DOWN** to activate the night feature. The alarm clock will illuminate for 10 seconds.

Color Changing Light Feature

- Press the **COLOR** button to activate the color changing light.
- Press the **COLOR** button again if you want to freeze the color.
- Press the **COLOR** button to deactivate the color changing light.

Sunset Light Function

- Press the **SUNSET** button to activate this function and the light will light up. The light will dim gradually and will completely turn off after 40 minutes.

Sunrise Light Function

- This alarm clock has sunrise light function where the light will gradually light up 40 minutes before the alarm sounds .
- Press the **SUNRISE** button to activate this function once the **ALARM 1** is set .
- To cancel it, press the **SUNRISE** button.
NOTE: Only **ALARM 1** has this function. **ALARM 2** does not have this function.

BLEETOOTH® Function

- Press the **⌘** button to enter **BLEETOOTH®** mode and “bt” will show on the display, the **BLEETOOTH®** indicator will flash. When pairing, remain 3 feet from unit.
- Using the native controls on **BLEETOOTH®** device, select “SPC284” in your **BLEETOOTH®** settings to pair.
- When successfully paired and connected, the **BLEETOOTH®** indicator will light up. Note the indicator on the display. After initial pairing, the unit will stay paired unless unpaired manually by the user or erased due to a reset of the device.
- Use the native controls on the connected **BLEETOOTH®** device to select a track.
- To play, skip or pause the track, use the native controls on the connected **BLEETOOTH®** device.
- Audio played through the connected **BLEETOOTH®** device will be heard through the speakers.
- To adjust the volume, press the **VOLUME +/-** button on the alarm clock.

The **BLEETOOTH®** word mark and logos are registered trademarks owned by Bluetooth SIG, Inc. and any use of such marks by MZ Berger is under license. Other trademarks and trade names are those of their respective owners.

Installing or Replacing the Battery

- Begin by opening the **BATTERY COMPARTMENT** cover (18) at the back of the clock.
- Insert (2) **AAA** batteries (not included) into the **BATTERY COMPARTMENT**. Make sure the polarity is correct by following the (+ or -) symbols engraved inside.
- The battery will hold the **ALARM** and **TIME** settings if the power is interrupted. There will be no display under battery and the **ALARM** will sound at the correct time. If there is no battery and the power is interrupted, the display will flash 12:00 and the **ALARM/TIME** will need to be reset.

Battery Warning

- Clean the battery contacts and also those of the device prior to battery installation.
- Follow the polarity (+) & (-) to place battery.
- Don't mix old and new batteries.
- Don't mix Alkaline, Standard (Carbon-Zinc), or Rechargeable (Nickel-Cadmium) batteries.
- Incorrect battery placement will damage the clock movement and battery may leak.
- Exhausted battery is to be removed from the product.
- Remove batteries from equipment which is not to be used for an extended period of time.
- Don't dispose of batteries in fire. Batteries may explode or leak.

FCC Information

NOTE: This equipment has been tested and found to comply with the limits for a Class B digital device, pursuant to Part 15 of the FCC Rules. These limits are designed to provide reasonable protection against harmful interference in a residential installation. This equipment generates, uses and can radiate radio frequency energy and, if not installed and used in accordance with the instructions, may cause harmful interference to radio communications. However, there is no guarantee that interference will not occur in a particular installation. If this equipment does cause harmful interference to radio or television reception, which can be determined by turning the equipment off and on, the user is encouraged to try to correct the interference by one or more of the following measures:

- Reorient or relocate the receiving antenna.
- Increase the separation between the equipment and receiver.
- Connect the equipment into an outlet on a circuit different from that to which the receiver is connected.
- Consult the dealer or an experienced radio/TV technician for help.

Safety Instructions

1. Read these instructions - All the safety and operating instructions should be read before this product is operated.
2. Keep these instructions - The safety and operating instructions should be retained for future reference.
3. Heed all warnings - All warnings on the appliance and in the operating instructions should be adhered to.
4. Follow all instructions - All operating and use instructions should be followed.
5. Do not use this apparatus near water - The appliance should not be used near water or moisture - for example, in a wet basement or near a swimming pool, and the like.
6. Clean only with dry cloth.
7. Do not block any ventilation openings, Install in accordance with the manufacturer's instructions.
8. Do not install near any heat sources such as radiators, heat registers, stoves, or other apparatus (including amplifiers) that produce heat.
9. Do not defeat the safety purpose of the polarized or grounding - type plug. A polarized plug has two blades with one wider than the other. A grounding type plug has two blades and a third grounding prong. The wide blade or the third prong are provided for your safety. If the provided plug does not fit into your outlet, consult an electrician for replacement of the obsolete outlet.
10. Protect the power cord from being walked on or pinched particularly at the plugs, convenience receptacles, and at the point where they exit from the apparatus.
11. Only use attachments/accessories specified by the manufacturer.
12. Use only with the cart, stand, tripod, bracket, or table specified by the manufacturer, or sold with the apparatus. When a cart or rack is used, use caution when moving the cart/apparatus combination to avoid injury from tip - over.



13. Unplug the apparatus during lightning storms or when unused for long periods of time.
14. Refer all servicing to qualified personnel. Servicing is required when the apparatus has been damaged in any way, such as power supply cord or plug is damaged, liquid has been spilled or objects have fallen into the apparatus has been exposed to rain or moisture, does not operate normally, or has been dropped.
15. Please keep the unit in a good ventilation environment.
16. **CAUTION:** These servicing instructions are for use by qualified service personnel only. To reduce the risk of electric shock, do not perform any servicing other than that contained in the operating instructions unless you are qualified to do so.

WARNING: The mains plug is used as disconnect device, the disconnect device shall remain readily operable. This equipment is a Class II or double insulated electrical appliance. It has been designed in such a way that it does not require a safety connection to electrical earth. Do not install this equipment in a confined or building-in space such as a book case or similar unit, and remain a well ventilation conditions. The ventilation should not be impeded by covering the ventilation openings with items such as newspaper, table-cloths, curtains etc.

WARNING: All above markings were located on the external enclosure of the apparatus, except for label of Date Code was pasted inside the battery compartment. The apparatus shall not be exposed to dripping or splashing and that objects filled with liquids, such as vases, shall not be placed on apparatus.

Caution: Changes or modifications not expressly approved by the party responsible for compliance could void the user's authority to operate the equipment.

WARNING: The battery shall not be exposed to excessive heat such as sunshine, fire or the like.