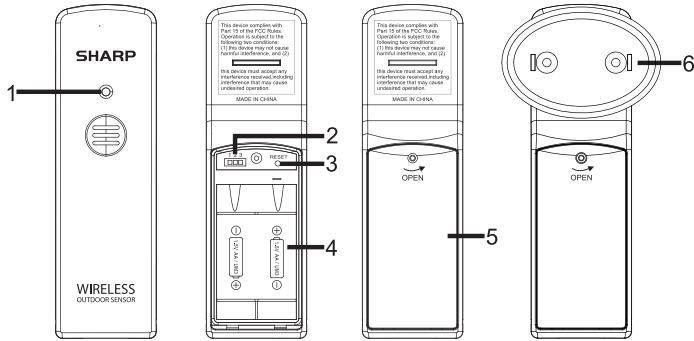


SHARP®

SPC1038 Atomic Wall Clock

Thank you for your purchase of this quality clock. The utmost care has gone into the design and manufacture of your clock. Please read these instructions and store them in a safe place for future reference.

Remote Transmitter



1. LED Indicator
2. CHANNEL Slide Switch (inside battery compartment)
3. RESET Button
4. BATTERY Compartment
5. BATTERY Door
6. WALL Mount

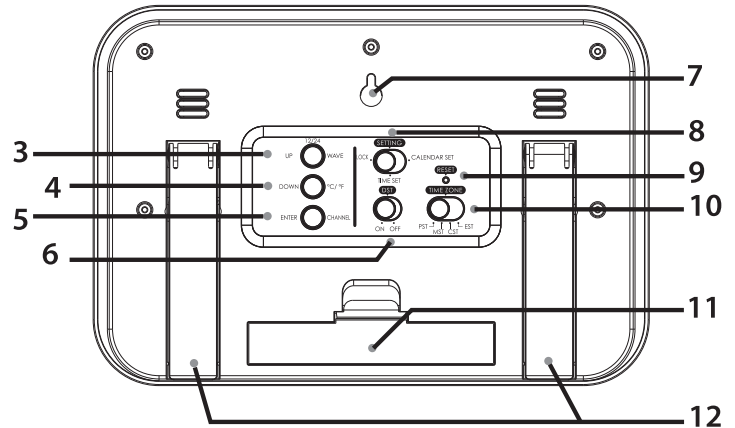
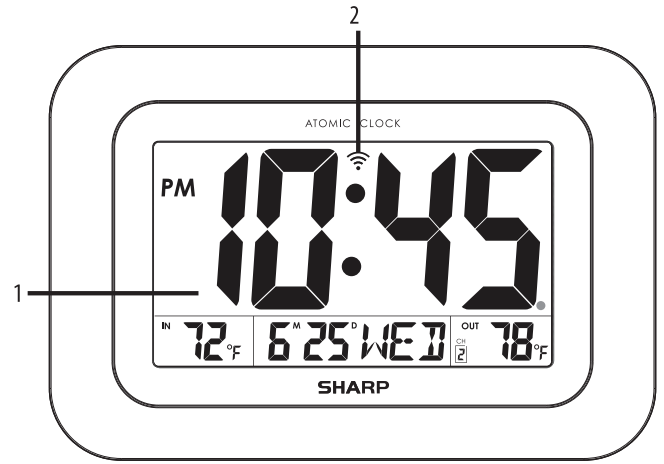
Setting Up the Transmitter (Do this First)

- Remove the battery door and insert 2 AA batteries into the battery compartment and follow the polarities marked.
- Slide the switch to Channel 1. Press the RESET button to set the transmitter.
- Press the CHANNEL button at the back of the clock to set channel 1
- Lock the transmitter battery door with the screw.
- Place the units away from metal objects and electrical appliances to minimize interference. Position the receiver within the effective transmission range 30 meters in usual circumstances.
- If Channel 1 signal is not received properly, change the transmitter slide button to Channel 2 or 3. Press CHANNEL button of the clock to 2 or 3 respectively. Press and hold the CHANNEL button for three seconds. The unit will start to find the new channel.

NOTE:

1. To receive the transmitter signal, the channels of receiver and transmitter must match each other.
2. Once the channel is assigned to transmitter, you can only change it by removing the batteries or resetting the unit.

Controls



1. CLOCK Display
2. SIGNAL Indicator
3. UP/WAVE / 12/24 Button
4. DOWN/°C/°F Button
5. Enter / Channel Button
6. DST Switch
7. WALL MOUNT
8. SETTING Switch
9. RESET Button
10. TIME ZONE Switch
11. BATTERY Compartment & Door
12. TABLE STAND

Quick Start Guide

- Insert batteries into remote sensor. In the battery compartment, set the Channel to send outside temperature to number 1.
- Insert batteries into clock.
- Set the Channel to receive outside temperature to number 1. Locate the Channel button on back side of clock. Note Channel number display in Outside Temperature section of clock display.
- Locate the Daylight Savings Button and turn it to ON.
- Choose your time zone.
- Now you can either set the time and date manually OR wait until the clock receives the atomic signal. The signal is usually received overnight but it will begin looking for the signal immediately. During the day there is a lot of interference and that is why the signal is often received overnight. Once the clock receives the atomic signal and all of the clock settings are in place, the time and date will be automatically updated.

IMPORTANT

- If the Atomic Clock does not receive the WWVB signal immediately, wait overnight & it will be set in the morning.

Clock Display

- Displays time in hours and minutes; calendar display of day, month and year; indoor temperature and humidity; outdoor temperature; signal strength indicator; daylight saving (DST); and time zone.

Signal Strength Indicator

- The **SIGNAL** indicator displays signal strength in 4 levels. Wave segment flashing means time signals are being received.

NOTE:

- The unit will automatically search for the time signal at 2:00 a.m., 3:00 a.m., 4:00 a.m., 5:00 a.m., 6:00 a.m. is also available if the signal was not received at 2:00 a.m.
- Closed area such as airport, basement, tower block or factory is not recommended.
- While the atomic signal is flashing, the control panel is inactive.

UP/WAVE/12/24 BUTTON

- In the **TIME** setting mode, press the button to decrease the setting values. Hold the button for 3 seconds, the display will change rapidly.
- In the normal mode, press and hold the button for 3 seconds for receive the RCC signal immediately.
- During the Atomic receiving period, press the button again to stop the Atomic reception.
- In normal mode, press the button to switch 12/24 time display format.

DOWN / °C / °F BUTTON

- In the **TIME / CALENDAR** setting mode, press the button to decrease the setting values. Hold the button for 3 seconds, the display will change rapidly.
- In normal mode, press the button to switch temperature unit °C/°F

ENTER/ CHANNEL Button

- In the normal mode, press the button to switch the between channel 1, 2 and 3; press and hold the button for 3 seconds will pairing with the outdoor remote sensor.

Daylight Saving Time (DST)

- The clock has programmed to automatically switch when the daylight saving time is in effect. Your clock will show DST during the summer time if you turn on the DST.

Using the Wall Mount

- The transmitter has the desktop and wall mounting structure.
- For the atomic clock, use the recessed hold on the back of the clock to hang it.
- For the transmitter, hang or place the separate wall mounting part in an area protected from direct rain. On the stand is mounted, place the transmitter into the stand on the wall.

SETTING Switch

- In normal, slide the switch to select different setting mode (**LOCK/ TIME SET/CALENDAR SET**).

RESET Button

- In case of malfunction, press the button to reset all values to default values.

Time Zone Setting

- Time and calendar can be set manually. As soon as the transmitter signal is received again, the clock will automatically synchronize with the exact time and calendar.
1. Slide the **SETTING** switch to **TIME SET** or **CALENDAR SET** to set the time or calendar.
 2. Press the **UP** and **DOWN** button to change the value and press **ENTER** button to confirm the setting.
 3. Follow the sequence: **Hour>Minute (TIME)** and **YEAR>Month>Date>Language (CALENDAR)**.
 4. Once the time or calendar is set, slide the switch to **LOCK**.

Battery Replacement

- If the low battery indicator appears beside the outdoor temperature of main unit, it indicates that the transmitter batteries need replacement. If the low battery is displayed at the top left corner, it indicates that the atomic clock batteries need replacement.

Battery Warning

- Clean the battery contacts and also those of the device prior to battery installation.
- Follow the polarity (+) & (–) to place battery.
- Don't mix old and new batteries.
- Don't mix Alkaline, Standard (Carbon-Zinc), or Rechargeable (Nickel-Cadmium) batteries.
- Incorrect battery placement will damage the clock movement and battery may leak.
- Exhausted battery is to be removed from the product.
- Remove batteries from equipment which is not to be used for an extended period of time.
- Don't dispose of batteries in fire. Batteries may explode or leak. Dispose in an ecologically safe manner

Suggestion

Make sure you read the instructions before operating this clock. We have developed this sophisticated instrument for the best reception performance; however, the signal transmitted from USA Atomic Clock transmitter will be affected in certain situations. We advise you to note the following instructions:

- It is strongly recommended to start this clock at night and let the clock receive the signal automatically past midnight.
- Always place the unit away from interfering sources such as TV set, computer, etc.
- Avoid placing the unit on or next to metal plates.
- Areas with access to windows is recommended for better reception.
- Do not start reception in moving articles such as vehicles or trains.

NOTE:

- When clock is searching for the Atomic signal or outdoor temp. all other functions are disabled.



Safety Instructions

1. Read these instructions - All the safety and operating instructions should be read before this product is operated.
2. Keep these instructions - The safety and operating instructions should be retained for future reference.
3. Heed all warnings - All warnings on the appliance and in the operating instructions should be adhered to.
4. Follow all instructions - All operating and use instructions should be followed.
5. Do not use this apparatus near water - The appliance should not be used near water or moisture - for example, in a wet basement or near a swimming pool, and the like.
6. Clean only with dry cloth.
7. Do not block any ventilation openings, Install in accordance with the manufacture's instructions.
8. Do not install near any heat sources such as radiators, heat registers, stoves, or other apparatus (including amplifiers) that produce heat.
9. Do not defeat the safety purpose of the polarized or grounding - type plug. A polarized plug has two blades with one wider than the other. A grounding type plug has two blades and a third grounding prong. The wide blade or the third prong are provided for your safety. If the provided plug does not fit into your outlet, consult an electrician for replacement of the obsolete outlet.
10. Protect the power cord from being walked on or pinched particularly at the plugs, convenience receptacles, and at the point where they exit from the apparatus.
11. Only use attachments/accessories specified by the manufacturer.
12. Use only with the cart, stand, tripod, bracket, or table specified by the manufacturer, or sold with the apparatus. When a cart or rack is used, use caution when moving the cart/apparatus combination to avoid injury from tip - over.



13. Unplug the apparatus during lightning storms or when unused for long periods of time.
14. Refer all servicing to qualified personnel. Servicing is required when the apparatus has been damaged in any way, such as power supply cord or plug is damaged, liquid has been spilled or objects have fallen into the apparatus has been exposed to rain or moisture, does not operate normally, or has been dropped.
15. Please keep the unit in a good ventilation environment.
16. CAUTION: These servicing instructions are for use by qualified service personnel only. To reduce the risk of electric shock, do not perform any servicing other than that contained in the operating instructions unless you are qualified to do so.

WARNING: The mains plug is used as disconnect device, the disconnect device shall remain readily operable. This equipment is a Class II or double insulated electrical appliance. It has been designed in such a way that it does not require a safety connection to electrical earth. Do not install this equipment in a confined or building-in space such as a book case or similar unit, and remain a well ventilation conditions. The ventilation should not be impeded by covering the ventilation openings with items such as newspaper, table-cloths, curtains etc.

WARNING: All above markings were located on the external enclosure of the apparatus, except for label of Date Code was pasted inside the battery compartment. The apparatus shall not be exposed to dripping or splashing and that objects filled with liquids, such as vases, shall not be placed on apparatus.

Caution: Changes or modifications not expressly approved by the party responsible for compliance could void the user's authority to operate the equipment.

WARNING: The battery shall not be exposed to excessive heat such as sunshine, fire or the like.