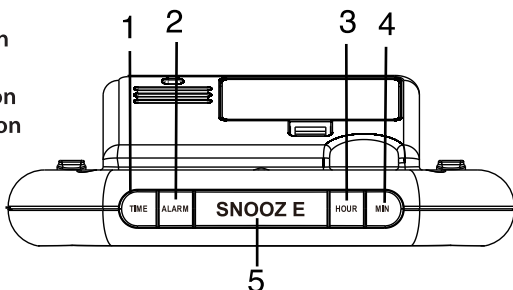


SPC073 LED Alarm Clock with Dimmer

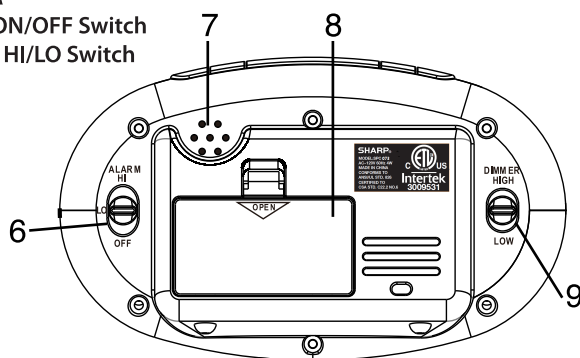
Thank you for your purchase of this quality clock. The utmost care has gone into the design and manufacture of your clock. Please read these instructions and store them in a safe place for future reference.

Controls

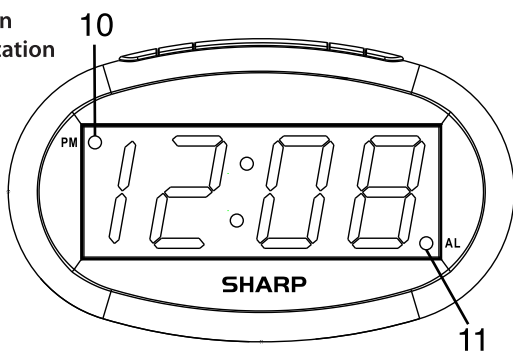
1. TIME Button
2. ALARM Button
3. HOUR Button
4. MINUTE Button
5. SNOOZE Button



6. BATTERY COMPARTMENT
7. SPEAKER
8. ALARM ON/OFF Switch
9. DIMMER HI/LO Switch



10. PM Indication
11. ALARM Indication



Power Supply

- Begin by plugging in the power cord into a standard household outlet.

Setting the Time

- Press and hold the **TIME** button down to activate time setting.
- While holding down the **TIME** button, press the **HOUR** button to advance to the correct hour. The **PM** indicator will light when the hour is advanced into the **PM** time.
- While holding down the **TIME** button, press the **MINUTE** button to advance to the correct minute.
- Release the **TIME** button when the correct time is shown on the display.

Setting the Alarm

- Press and hold the **ALARM** button down to activate time setting.
- While holding down the **ALARM** button, press the **HOUR** button to advance to the correct hour. The **PM** indicator will light when the hour is advanced into the **PM** time.
- Hold down the **ALARM** button and then press **MINUTE** button to set the correct minute.
- Release the **ALARM** button when the correct alarm time is shown on the display.

Using the Alarm

- Slide the **ALARM ON/OFF** switch to the **ON** position. On the front of the clock the alarm indication will be lit.
- Slide the **ALARM ON/OFF** switch to the **OFF** position to deactivate the alarm. The alarm indicator dot will no longer be visible.

Activating the SNOOZE function

- Press the **SNOOZE** button after the wake-up alarm sounds will cause the alarm to stop and the alarm will sound again in 9 minutes. This will repeat each time the **SNOOZE** button is pressed.

Using the DIMMER switch

- Press the **DIMMER HI/LO** switch to HI position for brighter display.
- Press the **DIMMER HI/LO** switch to LO position for normal display.

Care of Your Clock

- Replace the back up battery annually, or store the clock without a battery. When not in use. A soft cloth or a paper towel may be used to clean your clock. Do not use any corrosive cleanser or chemical solutions on the clock. Keep the clock clean and dry to avoid any problems.

Installing or Replacing the Battery

- Begin by opening the **BATTERY COMPARTMENT** cover at the back of the clock.
- Insert (2) **AA** battery (not included) into the **BATTERY COMPARTMENT**. make sure the polarity is correct by following the (+ or -) symbols engraved inside.
- If the clock does not operate, steadily loses time, or if the alarm sounds weak, this indicates that the battery is low and should be replaced.

Battery Warning

- Clean the battery contacts and also those of the device prior to battery installation.
- Follow the polarity (+) & (-) to place battery.
- Don't mix old and new batteries.
- Don't mix Alkaline, Standard (Carbon-Zinc), or Rechargeable (Nickel-Cadmium) batteries.
- Incorrect battery placement will damage the clock movement and battery may leak.
- Exhausted battery is to be removed from the product.
- Remove batteries from equipment which is not to be used for an extended period of time.
- Don't dispose of batteries in fire. Batteries may explode or leak.

FCC Information

NOTE: This equipment has been tested and found to comply with the limits for a Class B digital device, pursuant to Part 15 of the FCC Rules. These limits are designed to provide reasonable protection against harmful interference in a residential installation. This equipment generates, uses and can radiate radio frequency energy and, if not installed and used in accordance with the instructions, may cause harmful interference to radio communications. However, there is no guarantee that interference will not occur in a particular installation. If this equipment does cause harmful interference to radio or television reception, which can be determined by turning the equipment off and on, the user is encouraged to try to correct the interference by one or more of the following measures:

- Reorient or relocate the receiving antenna.
- Increase the separation between the equipment and receiver.
- Connect the equipment into an outlet on a circuit different from that to which the receiver is connected.
- Consult the dealer or an experienced radio/TV technician for help.

Safety Instructions

1. Read these instructions - All the safety and operating instructions should be read before this product is operated.
2. Keep these instructions - The safety and operating instructions should be retained for future reference.
3. Heed all warnings - All warnings on the appliance and in the operating instructions should be adhered to.
4. Follow all instructions - All operating and use instructions should be followed.
5. Do not use this apparatus near water - The appliance should not be used near water or moisture - for example, in a wet basement or near a swimming pool, and the like.
6. Clean only with dry cloth.
7. Do not block any ventilation openings, Install in accordance with the manufacture's instructions.
8. Do not install near any heat sources such as radiators, heat registers, stoves, or other apparatus (including amplifiers) that produce heat.
9. Do not defeat the safety purpose of the polarized or grounding - type plug. A polarized plug has two blades with one wider than the other. A grounding type plug has two blades and a third grounding prong. The wide blade or the third prong are provided for your safety. If the provided plug does not fit into your outlet, consult an electrician for replacement of the obsolete outlet.
10. Protect the power cord from being walked on or pinched particularly at the plugs, convenience receptacles, and at the point where they exit from the apparatus.
11. Only use attachments/accessories specified by the manufacturer.
12. Use only with the cart, stand, tripod, bracket, or table specified by the manufacturer, or sold with the apparatus. When a cart or rack is used, use caution when moving the cart/apparatus combination to avoid injury from tip - over.



13. Unplug the apparatus during lightning storms or when unused for long periods of time.
14. Refer all servicing to qualified personnel. Servicing is required when the apparatus has been damaged in any way, such as power supply cord or plug is damaged, liquid has been spilled or objects have fallen into the apparatus has been exposed to rain or moisture, does not operate normally, or has been dropped.
15. Please keep the unit in a good ventilation environment.
16. CAUTION: These servicing instructions are for use by qualified service personnel only. To reduce the risk of electric shock, do not perform any servicing other than that contained in the operating instructions unless you are qualified to do so.

WARNING: The mains plug is used as disconnect device, the disconnect device shall remain readily operable. This equipment is a Class II or double insulated electrical appliance. It has been designed in such a way that it does not require a safety connection to electrical earth. Do not install this equipment in a confined or building-in space such as a book case or similar unit, and remain a well ventilation conditions. The ventilation should not be impeded by covering the ventilation openings with items such as newspaper, table-cloths, curtains etc.

WARNING: All above markings were located on the external enclosure of the apparatus, except for label of Date Code was pasted inside the battery compartment. The apparatus shall not be exposed to dripping or splashing and that objects filled with liquids, such as vases, shall not be placed on apparatus.

Caution: Changes or modifications not expressly approved by the party responsible for compliance could void the user's authority to operate the equipment.

WARNING: The battery shall not be exposed to excessive heat such as sunshine, fire or the like.