

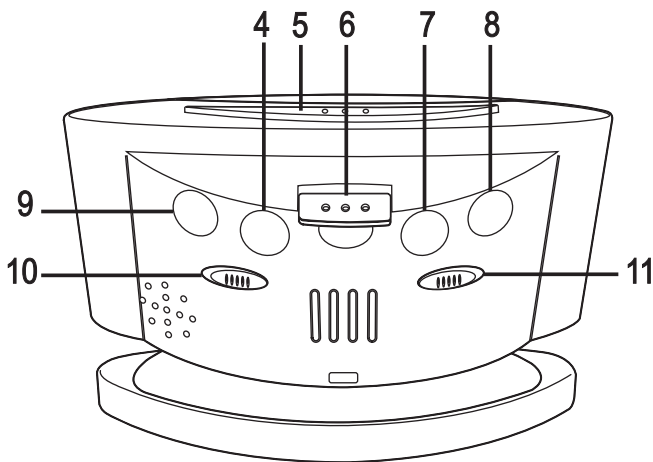
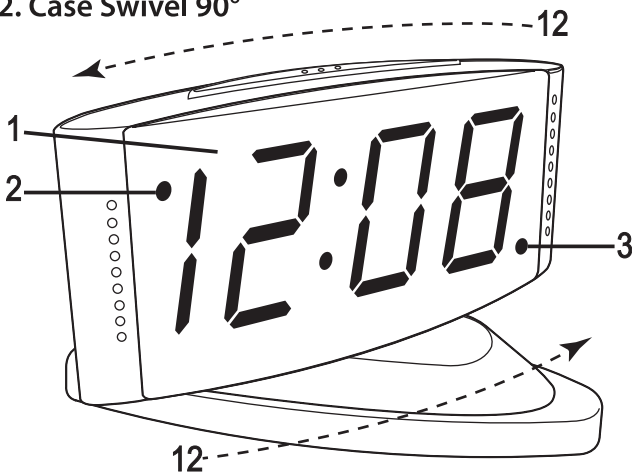
SHARP®

SPC033 Large LED Alarm Clock with 90° Swivel Case

Thank you for your purchase of this quality clock. The utmost care has gone into the design and manufacture of your clock. Please read these instructions and store them in a safe place for future reference.

Controls

1. LARGE LED Display
2. PM Indicator
3. ALARM Indicator
4. HOUR Button
5. SNOOZE Button
6. ALARM ON/OFF Switch
7. ALARM Button
8. TIME Button
9. MINUTE Button
10. ALARM VOLUME (HI/LO)
11. DIMMER (HI/LO)
12. Case Swivel 90°



Connecting to the power supply

- Begin by plugging in the power cord into a standard household outlet as indicated. The display will flash indicating the time is ready to be set.

Setting the Time

- Press and hold the **TIME** button down to activate time setting.
- While holding down the **TIME** button, press the **HOUR** button to advance to the correct hour. The **PM** indicator will light when the hour is advanced into the **PM** time.
- While holding down the **TIME** button, press the **MINUTE** button to advance to the correct minute.
- Release the **TIME** button when the correct time is shown on the display.
- When setting the time, the **PM** indicator dot will appear on the upper left corner of the display when the time is past 11:59 A.M.

Setting the Alarm

- Press and hold the **ALARM** button down to activate alarm setting.
- While holding down the **ALARM** button, press the **HOUR** button to advance to the correct hour. The **PM** Indicator will light when the hour is advanced into the **PM** time.
- While holding down the **ALARM** button, press the **MINUTE** button to advance to the correct minute.
- Release the **ALARM** button when the correct alarm time is shown on the display.
- When setting the alarm time be sure you are in the correct **AM** or **PM** time as indicated by the **PM** light on the display.

Using the Alarm

- Slide the **ALARM ON/OFF** button to the ON position, the **ALARM** indicator dot will be lit and the alarm will sound at the preset time.
- Slide the **ALARM ON/OFF** button to the off position, the **ALARM** Indicator dot will no longer be visible.

Setting the Alarm volume

- Slide the **ALARM VOLUME** switch to either **HIGH** or **LOW** volume.

Using the Snooze

- To use the **SNOOZE**, press down on the **SNOOZE BAR** when the alarm is sounding. The alarm will be silent temporarily but will resume sounding after 9 minutes. This can be repeated as often as you wish for up to one hour.

Battery Back Up

- Remove the **BATTERY** compartment and insert one new "9V" battery (not included) in the direction of the polarity symbols.
- Please make sure the batteries are new and inserted correctly.
- The battery will hold the **ALARM** and **TIME** settings if the power is interrupted. There will be no display under battery power and the **ALARM** will sound at the correct time. If there is no battery and the power is interrupted, the display will flash 12:00 and the **ALARM / TIME** will need to be reset.

Battery Warning

- Clean the battery contacts and also those of the device prior to battery installation.
- Follow the polarity (+) & (-) to place battery.
- Don't mix old and new batteries.
- Don't mix Alkaline, Standard (Carbon-Zinc), or Rechargeable (Nickel-Cadmium) batteries.
- Incorrect battery placement will damage the clock movement and battery may leak.
- Exhausted battery is to be removed from the product.
- Remove batteries from equipment which is not to be used for an extended period of time.
- Don't dispose of batteries in fire. Batteries may explode or leak.

FCC Information

NOTE: This equipment has been tested and found to comply with the limits for a Class B digital device, pursuant to Part 15 of the FCC Rules. These limits are designed to provide reasonable protection against harmful interference in a residential installation. This equipment generates, uses and can radiate radio frequency energy and, if not installed and used in accordance with the instructions, may cause harmful interference to radio communications. However, there is no guarantee that interference will not occur in a particular installation. If this equipment does cause harmful interference to radio or television reception, which can be determined by turning the equipment off and on, the user is encouraged to try to correct the interference by one or more of the following measures:

- Reorient or relocate the receiving antenna.
- Increase the separation between the equipment and receiver.
- Connect the equipment into an outlet on a circuit different from that to which the receiver is connected.
- Consult the dealer or an experienced radio/TV technician for help.

Digital Alarm Clock



This lightning flash and arrowhead within the triangle is a warning sign alerting you of "dangerous voltage" inside the product.

CAUTION

**RISK OF ELECTRIC SHOCK
DO NOT OPEN**

CAUTION: TO REDUCE THE RISK OF ELECTRIC SHOCK, DO NOT REMOVE COVER (ON BACK). NO USER SERVICEABLE PARTS INSIDE. REFER SERVICING TO QUALIFIED SERVICE PERSONNEL.



The exclamation point within the triangle is a warning sign alerting you of important instructions accompanying the product.

WARNING: TO REDUCE THE RISK OF FIRE OR ELECTRIC SHOCK, DO NOT EXPOSE THIS APPLIANCE TO RAIN OR MOISTURE.

CAUTION: TO PREVENT ELECTRIC SHOCK DO NOT USE THIS (POLARIZED) PLUG WITH AN EXTENSION CORD, RECEPTACLE, OR OTHER OUTLET UNLESS THE BLADES CAN BE FULLY INSERTED TO PREVENT BLADE EXPOSURE.

Please read this before operating your unit.

Care of Your Clock

- Replace the back up battery annually, or store the clock without a battery when not in use. A soft cloth or a paper towel may be used to clean your clock. Do not use any corrosive cleanser or chemical solutions on the clock. Keep the clock clean and dry to avoid any problems.

Safety Instructions

1. Read these instructions - All the safety and operating instructions should be read before this product is operated.
2. Keep these instructions - The safety and operating instructions should be retained for future reference.
3. Heed all warnings - All warnings on the appliance and in the operating instructions should be adhered to.
4. Follow all instructions - All operating and use instructions should be followed.
5. Do not use this apparatus near water - The appliance should not be used near water or moisture - for example, in a wet basement or near a swimming pool, and the like.
6. Clean only with dry cloth.
7. Do not block any ventilation openings, Install in accordance with the manufacture's instructions.
8. Do not install near any heat sources such as radiators, heat registers, stoves, or other apparatus (including amplifiers) that produce heat.
9. Do not defeat the safety purpose of the polarized or grounding - type plug. A polarized plug has two blades with one wider than the other. A grounding type plug has two blades and a third grounding prong. The wide blade or the third prong are provided for your safety. If the provided plug does not fit into your outlet, consult an electrician for replacement of the obsolete outlet.
10. Protect the power cord from being walked on or pinched particularly at the plugs, convenience receptacles, and at the point where they exit from the apparatus.
11. Only use attachments/accessories specified by the manufacturer.
12. Use only with the cart, stand, tripod, bracket, or table specified by the manufacturer, or sold with the apparatus. When a cart or rack is used, use caution when moving the cart/apparatus combination to avoid injury from tip - over.



13. Unplug the apparatus during lightning storms or when unused for long periods of time.
14. Refer all servicing to qualified personnel. Servicing is required when the apparatus has been damaged in any way, such as power supply cord or plug is damaged, liquid has been spilled or objects have fallen into the apparatus has been exposed to rain or moisture, does not operate normally, or has been dropped.
15. Please keep the unit in a good ventilation environment.
16. CAUTION: These servicing instructions are for use by qualified service personnel only. To reduce the risk of electric shock, do not perform any servicing other than that contained in the operating instructions unless you are qualified to do so.

WARNING: The mains plug is used as disconnect device, the disconnect device shall remain readily operable. This equipment is a Class II or double insulated electrical appliance. It has been designed in such a way that it does not require a safety connection to electrical earth. Do not install this equipment in a confined or building-in space such as a book case or similar unit, and remain a well ventilation conditions. The ventilation should not be impeded by covering the ventilation openings with items such as newspaper, table-cloths, curtains etc.

WARNING: All above markings were located on the external enclosure of the apparatus, except for label of Date Code was pasted inside the battery compartment. The apparatus shall not be exposed to dripping or splashing and that objects filled with liquids, such as vases, shall not be placed on apparatus.

Caution: Changes or modifications not expressly approved by the party responsible for compliance could void the user's authority to operate the equipment.

WARNING: The battery shall not be exposed to excessive heat such as sunshine, fire or the like.